

SBGN PD

Current status, future changes and
unresolved issues

Harmony 2011

NYC

PD Specification

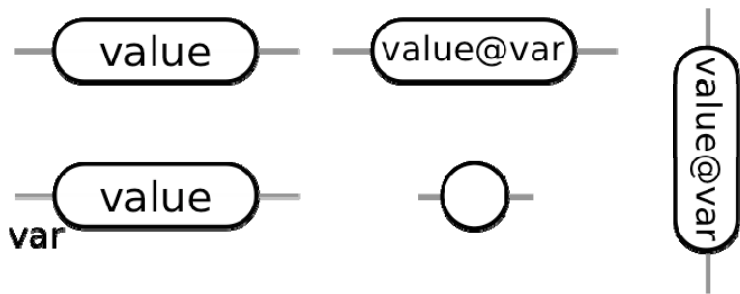
- Level 1 Version 1: Sep 2008
 - Original specification
- Level 1 Version 1.1: Sep 2009
 - Fixed inconsistencies
 - Typos
 - Clarified “ontology” of glyphs
 - Nomenclature changes for consistency with other languages
- Level 1 Version 1.2: Oct 2010
- Level 1 Version 1.3: Feb 2011
 - Minor changes of clarity
 - Document errors
- Level 1 Version 2.0 Apr/May 2011

What's in Version 2.0

- New/Modified Glyphs
- Resolving semantic “issues”
- Enumerated rules
- Improve organisation/clarity of the spec

Level 1 Version 2.0: Glyphs

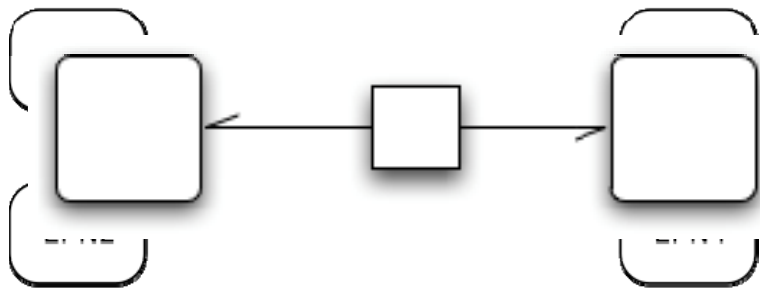
State Glyph Change



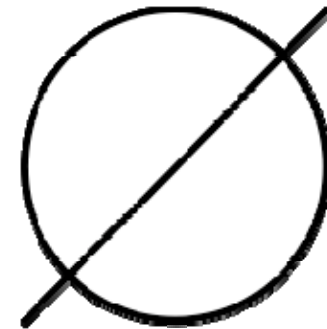
New Annotation Glyph



Reversible Arc



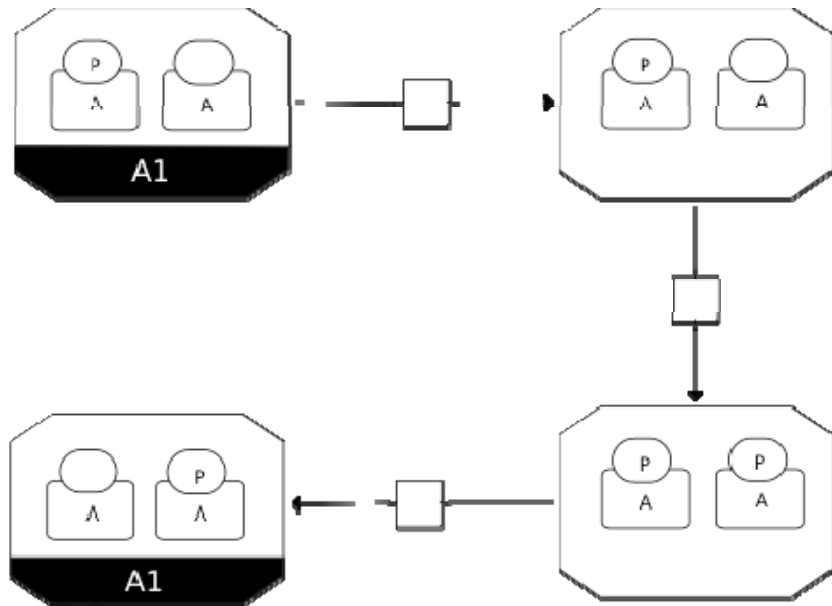
Empty Set



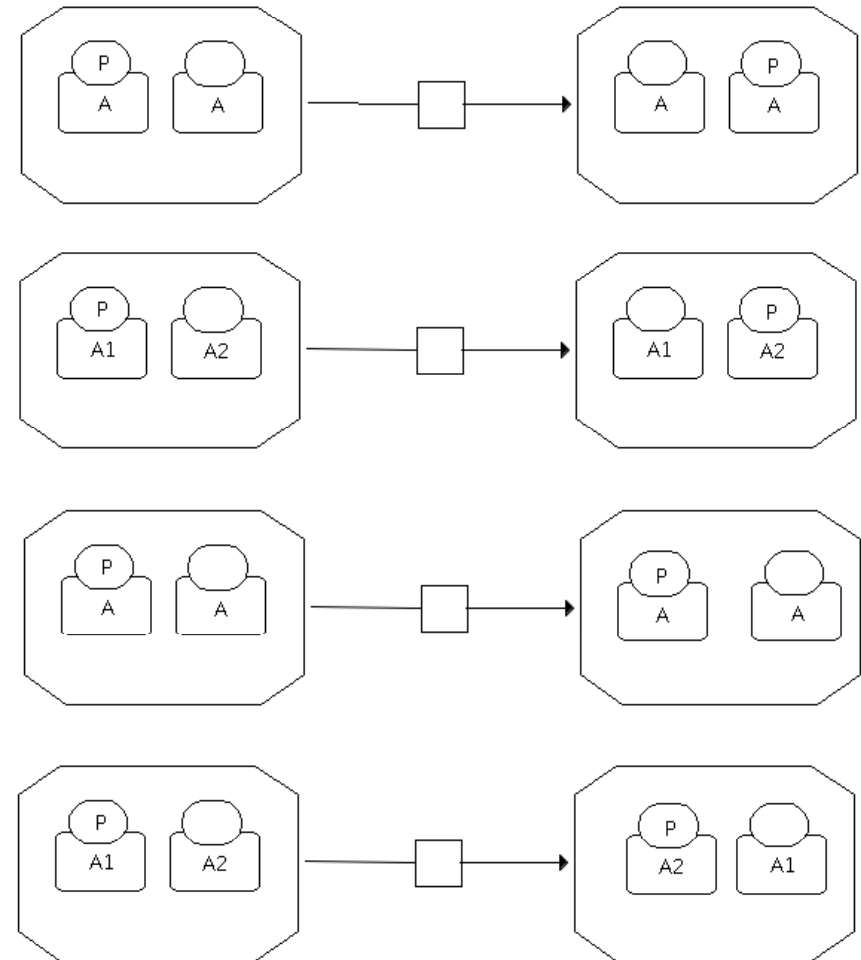
Level 1 Version 2.0: Semantics

Subunits are not EPNS

Confusing but correct?

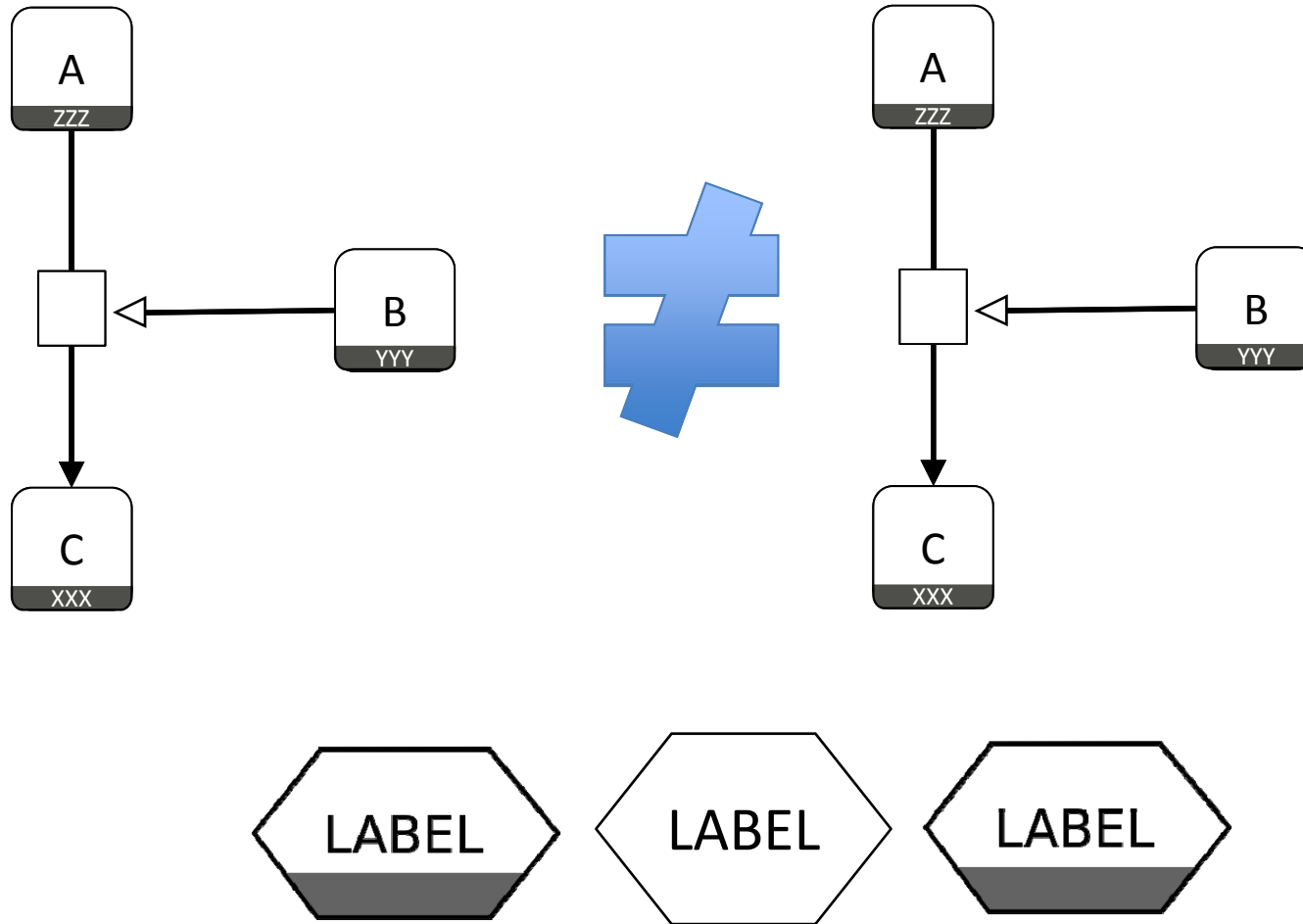


Synthetic Unique Names



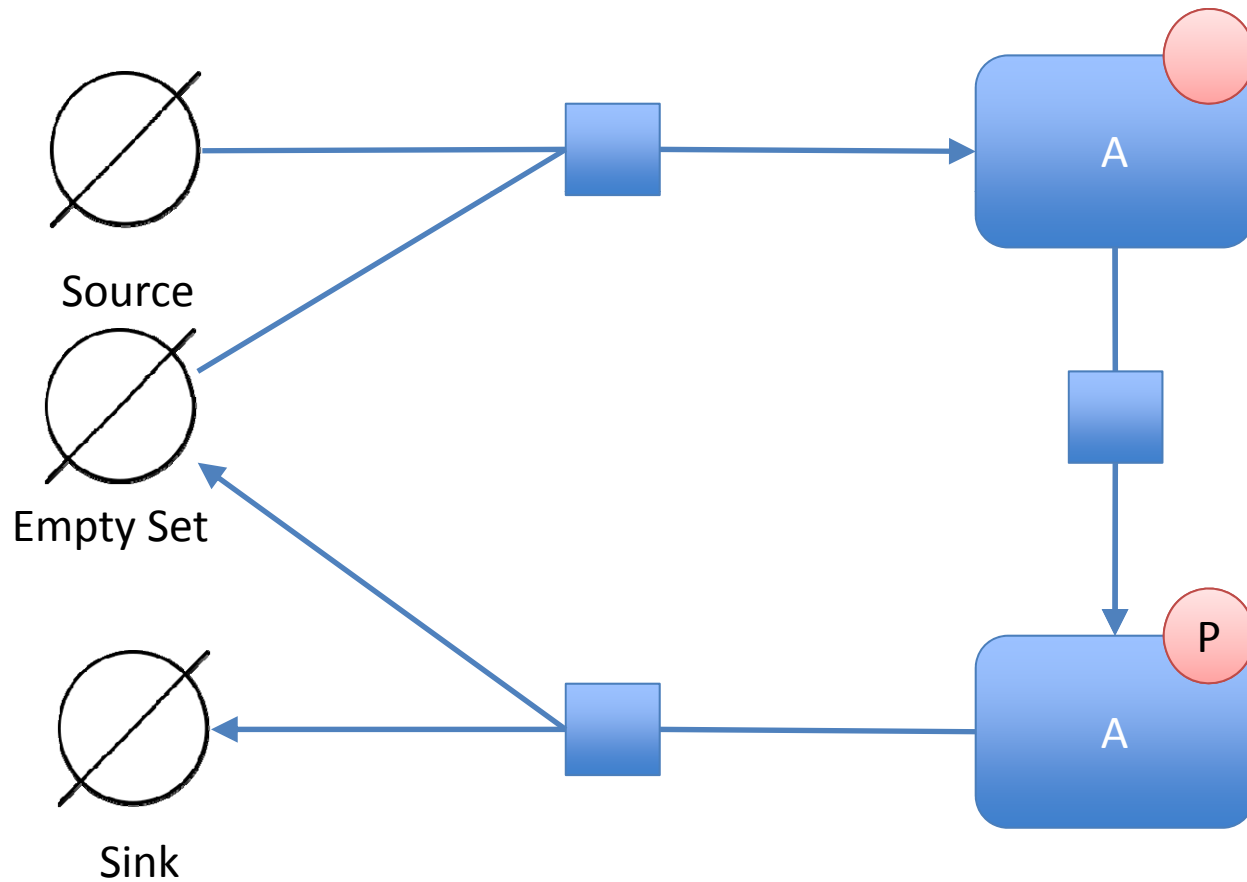
Level 1 Version 2.0: Semantics

Process Duplication



Level 1 Version 2.0: Semantics

Source and Sink => Empty Set



Level 1 Version 2.0: Spec

- Focus more on EPN types rather than glyphs
 - Integrate clone marker section
 - Integrate multimer section
- Integrate semantic rules into glyphs
- Enumerate rules – facilitate computational validation

Road Map for PD

- Level 1 Version 2.0
 - Draft for Review: May 2011
 - RFC: 2-3 Weeks
 - Release June 2011
- Tool support!
- Level 2 Version 1.0
 - Theme: RISC notation?
 - Start work in Harmony 2012?
 - Release First Draft COMBINE 2012?

ER Issues

- Delay
- Can arrow come from entity
- Can't define initial state
- Outcome not an Entity